

SIRIUS, COMPACT STARTER, DIRECT STARTER . 690 V, 24 V DC, 0.32 ... 1.25 A, IP20, CONN. MAIN CIRCUIT: SCREW TERMINAL, CONN. CONTROL CIRCUIT: SCREW TERMINAL



Product brand name	SIRIUS
Product designation	compact starter
Design of the product	direct starter

### General technical data

<b>Product function</b>	
<ul style="list-style-type: none"> <li>Control circuit interface to parallel wiring</li> </ul>	No
<b>Product extension</b>	
<ul style="list-style-type: none"> <li>Auxiliary switch</li> </ul>	Yes
<b>Insulation voltage</b>	
<ul style="list-style-type: none"> <li>rated value</li> </ul>	690 V
<b>Degree of pollution</b>	3
<b>Surge voltage resistance rated value</b>	6 000 V
<b>Protection class IP</b>	IP20
<b>Vibration resistance</b>	f= 4 ... 5.8 Hz, d= 15 mm; f= 5.8 ... 500 Hz, a= 20 m/s <sup>2</sup> ; 10 cycles
<b>Mechanical service life (switching cycles)</b>	
<ul style="list-style-type: none"> <li>of the main contacts typical</li> </ul>	10 000 000
<ul style="list-style-type: none"> <li>of auxiliary contacts typical</li> </ul>	10 000 000
<ul style="list-style-type: none"> <li>of the signaling contacts typical</li> </ul>	10 000 000

<b>Electrical endurance (switching cycles) of auxiliary contacts</b>	
<ul style="list-style-type: none"> <li>• at DC-13 at 6 A at 24 V typical</li> <li>• at AC-15 at 6 A at 230 V typical</li> </ul>	<p>30 000</p> <p>200 000</p>
<b>Type of assignment</b>	continuous operation according to IEC 60947-6-2
<b>Equipment marking</b>	
<ul style="list-style-type: none"> <li>• acc. to DIN EN 61346-2</li> <li>• acc. to DIN EN 81346-2</li> </ul>	<p>Q</p> <p>Q</p>

#### Ambient conditions

<b>Ambient temperature</b>	
<ul style="list-style-type: none"> <li>• during operation</li> <li>• during storage</li> <li>• during transport</li> </ul>	<p>-20 ... +60 °C</p> <p>-55 ... +80 °C</p> <p>-55 ... +80 °C</p>

#### Main circuit

<b>Number of poles for main current circuit</b>	3
<b>Adjustable pick-up value current of the current-dependent overload release</b>	0.32 ... 1.25 A
<b>Formula for making capacity limit current</b>	$38.4 \times I_e$
<b>Formula for interruption capacity limit current</b>	$32 \times I_e$
<b>Mechanical power output for 4-pole AC motor</b>	
<ul style="list-style-type: none"> <li>• at 400 V rated value</li> <li>• at 500 V rated value</li> <li>• at 690 V rated value</li> </ul>	<p>0.37 kW</p> <p>0.55 kW</p> <p>0.75 kW</p>
<b>Operating voltage</b>	
<ul style="list-style-type: none"> <li>• at AC-3 rated value maximum</li> </ul>	690 V
<b>Operating current</b>	
<ul style="list-style-type: none"> <li>• at AC at 400 V rated value</li> <li>• at AC-43 <ul style="list-style-type: none"> <li>— at 400 V rated value</li> <li>— at 500 V rated value</li> <li>— at 690 V rated value</li> </ul> </li> </ul>	<p>1.25 A</p> <p>1.1 A</p> <p>1.2 A</p> <p>1.1 A</p>
<b>No-load switching frequency</b>	3 600 1/h
<b>Operating frequency</b>	
<ul style="list-style-type: none"> <li>• at AC-41 acc. to IEC 60947-6-2 maximum</li> <li>• at AC-43 acc. to IEC 60947-6-2 maximum</li> </ul>	<p>750 1/h</p> <p>250 1/h</p>

#### Control circuit/ Control

<b>Type of voltage</b>	DC
<b>Holding power</b>	
<ul style="list-style-type: none"> <li>• at DC maximum</li> </ul>	2.9 W

#### Auxiliary circuit

<b>Number of NC contacts</b>	
------------------------------	--

<ul style="list-style-type: none"> <li>• for auxiliary contacts</li> </ul>	0
<b>Number of NO contacts</b>	
<ul style="list-style-type: none"> <li>• for auxiliary contacts</li> </ul>	0
<ul style="list-style-type: none"> <li>• of instantaneous short-circuit trip unit for signaling contact</li> </ul>	0
<b>Number of CO contacts</b>	
<ul style="list-style-type: none"> <li>• of the current-dependent overload release for signaling contact</li> </ul>	0
<b>Operating current of auxiliary contacts at AC-12 maximum</b>	10 A
<b>Operating current of auxiliary contacts at DC-13</b>	
<ul style="list-style-type: none"> <li>• at 250 V</li> </ul>	0.27 A

### Protective and monitoring functions

<b>Trip class</b>	CLASS 10 and 20 adjustable
<b>Off-delay time</b>	50 ms
<b>Operational short-circuit current breaking capacity (Ics)</b>	
<ul style="list-style-type: none"> <li>• at 400 V</li> </ul>	53 kA
<ul style="list-style-type: none"> <li>• at 500 V rated value</li> </ul>	3 kA
<ul style="list-style-type: none"> <li>• at 690 V rated value</li> </ul>	3 kA

### UL/CSA ratings

<b>Full-load current (FLA) for three-phase AC motor</b>	
<ul style="list-style-type: none"> <li>• at 480 V rated value</li> </ul>	1.25 A
<ul style="list-style-type: none"> <li>• at 600 V rated value</li> </ul>	1.25 A
<b>Yielded mechanical performance [hp]</b>	
<ul style="list-style-type: none"> <li>• for three-phase AC motor <ul style="list-style-type: none"> <li>— at 460/480 V rated value</li> <li>— at 575/600 V rated value</li> </ul> </li> </ul>	0.5 hp
	0.5 hp

### Short-circuit protection

<b>Product function Short circuit protection</b>	Yes
<b>Design of the fuse link</b>	
<ul style="list-style-type: none"> <li>• for short-circuit protection of the auxiliary switch required</li> </ul>	fuse gL/gG: 10 A

### Installation/ mounting/ dimensions

<b>Mounting position</b>	any
<ul style="list-style-type: none"> <li>• recommended</li> </ul>	vertical, on horizontal standard mounting rail
<b>Mounting type</b>	screw and snap-on mounting
<b>Height</b>	170 mm
<b>Width</b>	45 mm
<b>Depth</b>	165 mm

### Connections/Terminals

<b>Product function</b>	
<ul style="list-style-type: none"> <li>removable terminal for main circuit</li> <li>removable terminal for auxiliary and control circuit</li> </ul>	<p>Yes</p> <p>Yes</p>
<b>Type of electrical connection</b>	
<ul style="list-style-type: none"> <li>for main current circuit</li> <li>for auxiliary and control current circuit</li> </ul>	<p>screw-type terminals</p> <p>screw-type terminals</p>
<b>Type of connectable conductor cross-sections</b>	
<ul style="list-style-type: none"> <li>for main contacts <ul style="list-style-type: none"> <li>— solid</li> <li>— finely stranded with core end processing</li> </ul> </li> <li>at AWG conductors for main contacts</li> </ul>	<p>2x (1.5 ... 6 mm<sup>2</sup>), 1x 10 mm<sup>2</sup></p> <p>2x (1.5 ... 6 mm<sup>2</sup>)</p> <p>2x (16 ... 10), 1x 8</p>
<b>Type of connectable conductor cross-sections</b>	
<ul style="list-style-type: none"> <li>for auxiliary contacts <ul style="list-style-type: none"> <li>— solid</li> <li>— finely stranded with core end processing</li> </ul> </li> <li>at AWG conductors for auxiliary contacts</li> </ul>	<p>0.5 ... 4 mm<sup>2</sup>, 2x (0.5 ... 2.5 mm<sup>2</sup>)</p> <p>0.5 ... 2.5 mm<sup>2</sup>, 2x (0.5 ... 1.5 mm<sup>2</sup>)</p> <p>2x (20 ... 14)</p>

#### Safety related data

<b>B10 value</b>	
<ul style="list-style-type: none"> <li>with high demand rate acc. to SN 31920</li> </ul>	3 000 000
<b>Proportion of dangerous failures</b>	
<ul style="list-style-type: none"> <li>with high demand rate acc. to SN 31920</li> </ul>	50 %

#### Communication/ Protocol

<b>Product function Bus communication</b>	Yes
<b>Protocol is supported</b>	
<ul style="list-style-type: none"> <li>IO-Link protocol</li> </ul>	Yes
<b>IO-Link transfer rate</b>	COM2 (38,4 kBaud)
<b>Point-to-point cycle time between master and IO-Link device minimum</b>	2.5 ms
<b>Type of voltage supply via input/output link master</b>	No
<b>Amount of data</b>	
<ul style="list-style-type: none"> <li>of the address area of the inputs with cyclical transfer total</li> <li>of the address area of the outputs with cyclical transfer total</li> </ul>	<p>2 byte</p> <p>2 byte</p>

#### Electromagnetic compatibility

<b>Field-bound parasitic coupling acc. to IEC 61000-4-3</b>	80 ... 3000 MHz at 10V/m
<b>Electrostatic discharge acc. to IEC 61000-4-2</b>	8 kV
<b>Conducted HF-interference emissions acc. to CISPR11</b>	150 kHz ... 30 MHz Class A
<b>Field-bound HF-interference emission acc. to CISPR11</b>	30 ... 1000 MHz Class A

## Supply voltage

Supply voltage required Auxiliary voltage Yes

## Display

### Display version

- as status display of the input/output link device green/red dual LED

## Certificates/approvals

General Product Approval	EMC	Functional Safety/Safety of Machinery
--------------------------	-----	---------------------------------------



CCC



CSA



UL



C-Tick



VDE

Declaration of Conformity	Test Certificates	Marine / Shipping
---------------------------	-------------------	-------------------



EG-Konf.

[Type Test Certificates/Test Report](#)



BUREAU VERITAS



LRS



PRS



RINA

Marine / Shipping	other
-------------------	-------



RMRS

[Environmental Confirmations](#)

[Confirmation](#)

## Further information

### Information- and Downloadcenter (Catalogs, Brochures,...)

<http://www.siemens.com/industrial-controls/catalogs>

### Industry Mall (Online ordering system)

<https://mall.industry.siemens.com/mall/en/en/Catalog/product?mlfb=3RA6400-1BB42>

### Cax online generator

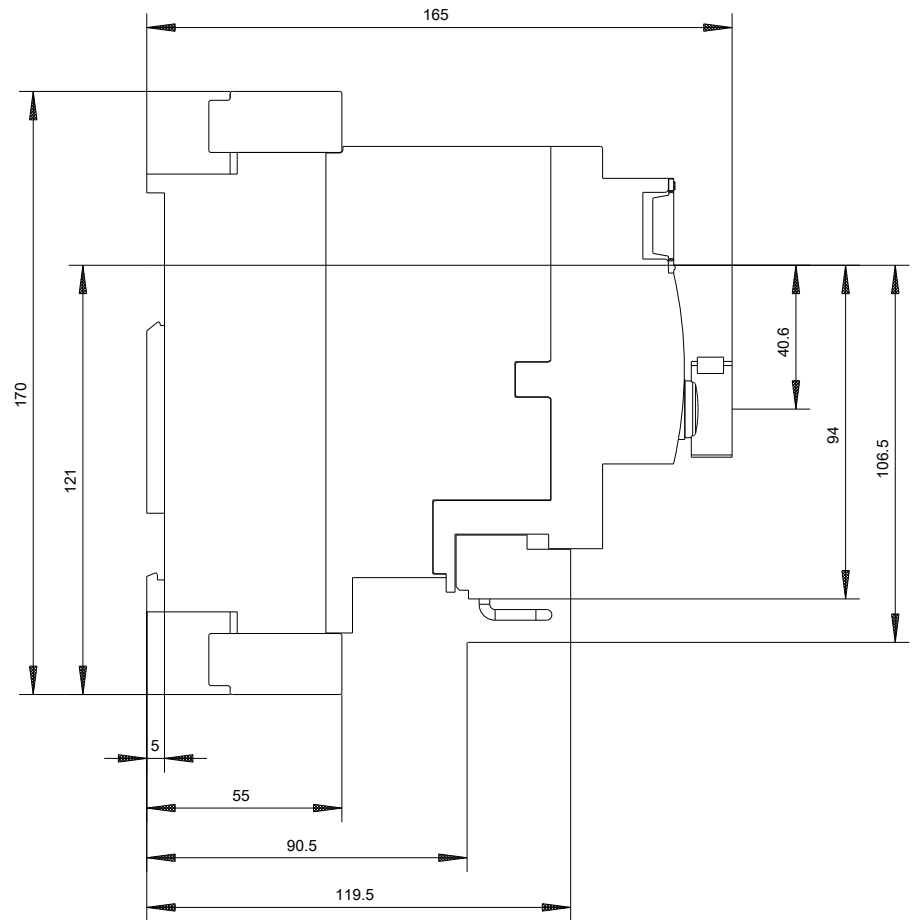
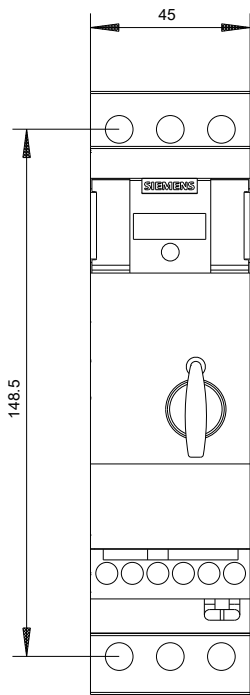
<http://support.automation.siemens.com/WW/CAXorder/default.aspx?lang=en&mlfb=3RA6400-1BB42>

### Service&Support (Manuals, Certificates, Characteristics, FAQs,...)

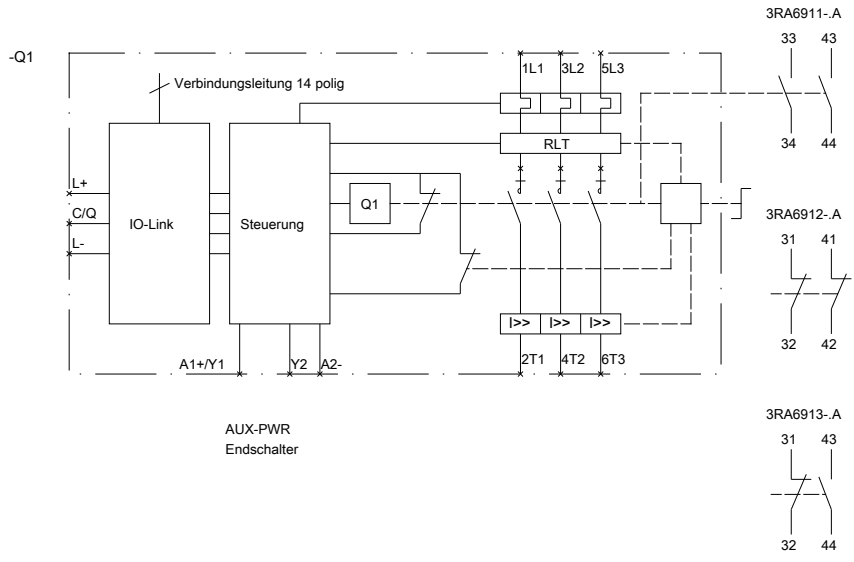
<https://support.industry.siemens.com/cs/ww/en/ps/3RA6400-1BB42>

### Image database (product images, 2D dimension drawings, 3D models, device circuit diagrams, EPLAN macros, ...)

[http://www.automation.siemens.com/bilddb/cax\\_de.aspx?mlfb=3RA6400-1BB42&lang=en](http://www.automation.siemens.com/bilddb/cax_de.aspx?mlfb=3RA6400-1BB42&lang=en)







\f@Arial Unicode MS|b0|i0|c0|p34;3RA64XX-XXXXX\_01\_4  
 \f@Arial Unicode MS|b0|i0|c0|p34;Siemens  
 \f@Arial Unicode MS|b0|i0|c0|p34;Format / Size: Hybrid Quer

last modified:

07/14/2017